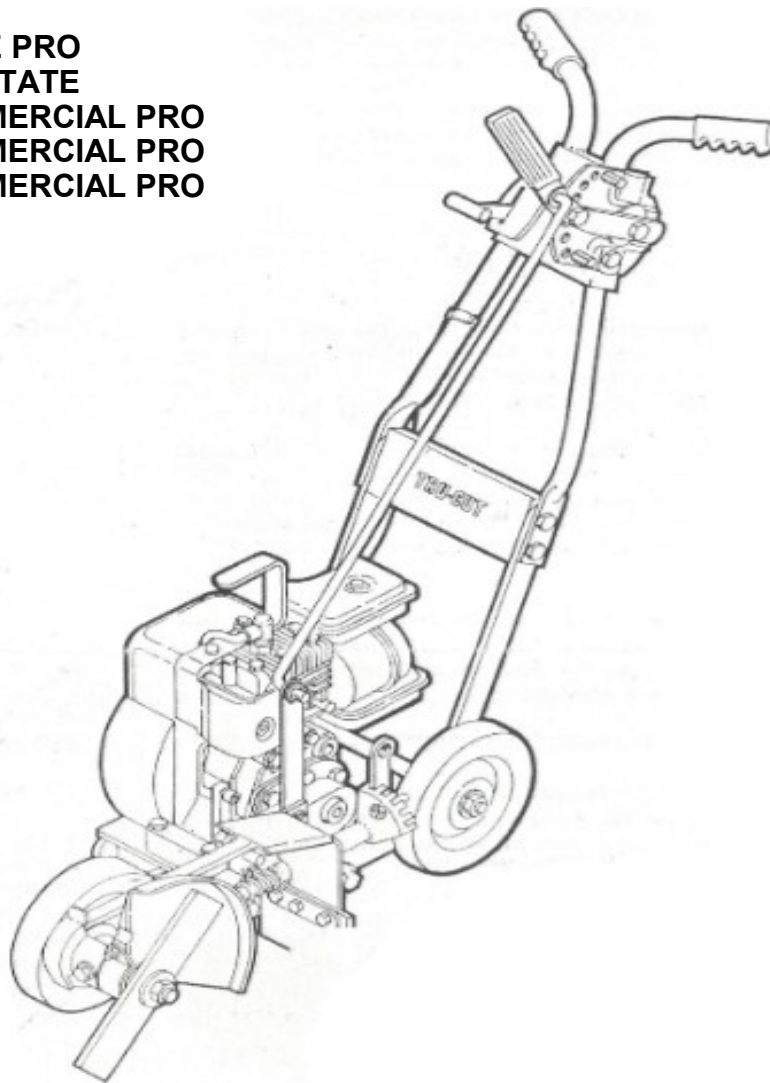




OWNERS MANUAL PRO SERIES EDGER MODELS

TC370B HOME PRO
TC480GCH ESTATE
TC380B COMMERCIAL PRO
TC480H COMMERCIAL PRO
TC408R COMMERCIAL PRO



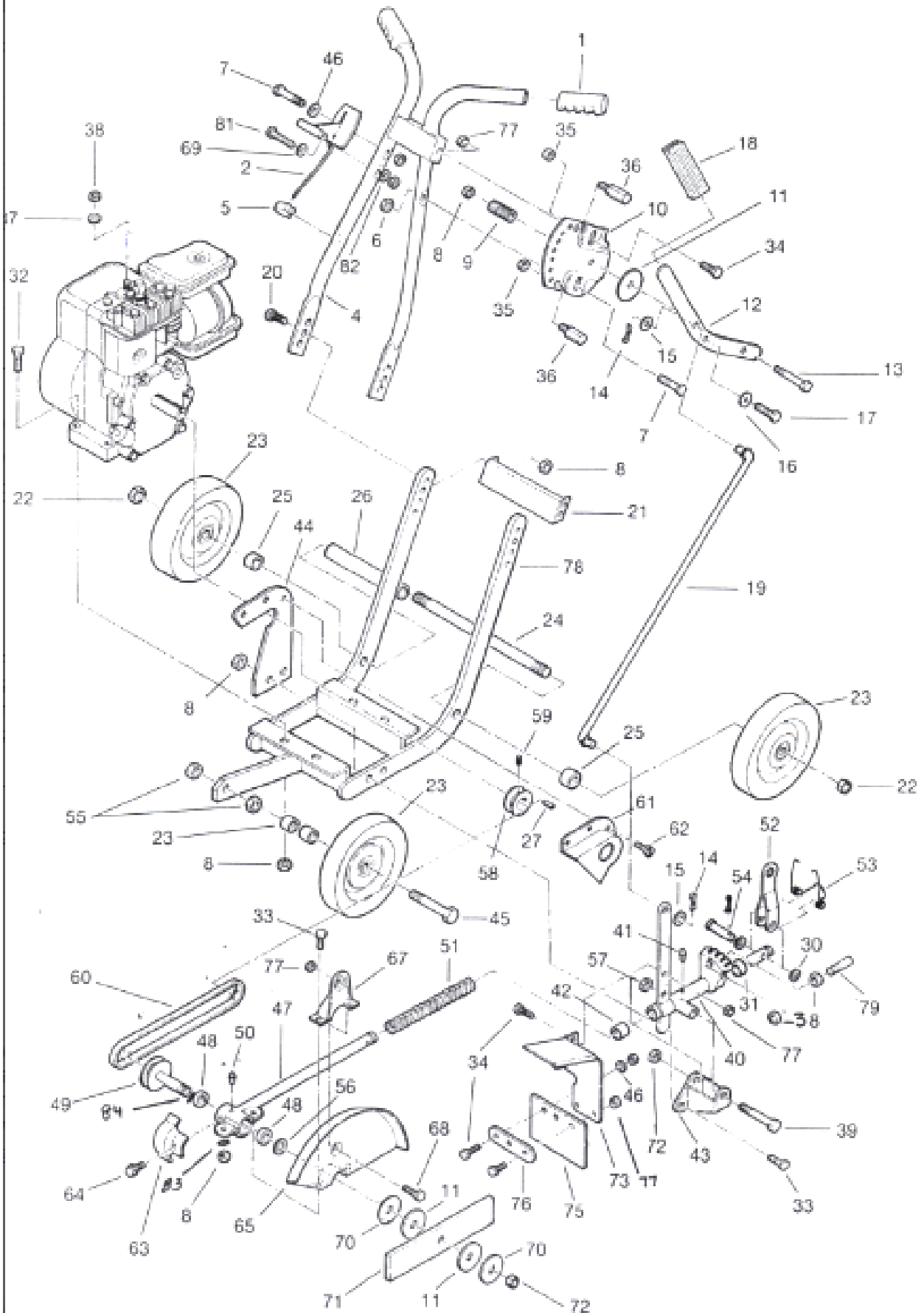
Before operating this equipment the operator should familiarize himself with the safety and operating instructions contained in this manual. Any questions regarding this owners manual, with regards to safety, maintenance or operation, please call

TRU-CUT,
5225 Serum Plant Road
Thorntown, IN 46071
Tel: (323) 258-4135
Fax: (323) 258-8690

Part No. 11130 Rev. 09/30

TRU-CUT

PRO SERIES



#	PART#	DESCRIPTION	#	PART#	DESCRIPTION
1	TC11345	HANDLE GRIPS	44	TC47569	GUARD, MOUNTING PLATE
2	TC18102	THROTTLE CONTROL HONDA GX12, B&S	45	TC90580	FRONT AXLE BOLT
	TC11528	THROTTLE CONTROL .5HP HONDA	46	TC90055	1/4 FLAT WASHER
	TC11548	THROTTLE CONTROL GC HONDA (ESTATE)	47	TC47459	CUTTER HEAD WELDMENT
3	TC11142	DECAL, TRU-CUT (NOT SHOWN)	48	TC31254	BEARING
4	TC47567	HANDLE WELDT	49	TC37398	SPINDLE ASSY
5	TC11516	CABLE CLIP	50	TC11204	ZERK
6	TC90303	HEX NUT	51	TC11680	SPRING
7	TC90110	HEX BOLT	52	TC47565	LATCH ASSY
8	TC90186	HEX LOCK NUT	53	TC11469	SPRING
9	TC11494	SPRING	54	TC11460	LATCH PIN
10	TC31301	INDEX PLATE	55	TC90460	JAM NUT
11	TC11882	FIBER WASHER	56	TC11311	SPACER WASHER
12	TC31271	HEIGHT ADJUST LEVER	57	TC90461	1/2 - 20 JAM NUT
13	TC90370	HEX BOLT	58	TC20665	MOTOR PULLEY 3/4
14	TC90037	COTTER PIN	59	TC90508	SET SCREW
15	TC90122	3/8 WASHER	60	TC11199	"V" BELT
16	TC90395	5/16 LOCK WASHER	61	TC37466	MOTOR PULLEY GUARD
17	TC90473	LOCK PIN	62	TC90411	MACHINE SCREW
18	TC11360	GRIP	63	TC31358	BELT GUARD
19	TC11499	CONTROL ROD	64	TC90562	WASHER HEAD BOLT
20	TC90206	HEX BOLT	65	TC37442	BLADE GUARD
21	TC31172	LOWER HANDLE BRACKET	66	TC11062	DECAL, CAUTION (NOT SHOWN)
22	TC90455	HEX LOCK NUT	67	TC31398	BLADE GUARD STIFFENER
23	TC52127	7" WHEEL (MODEL TC425B ONLY)	68	TC90523	HEX BOLT
	TC52138	8" REAR WHEEL	69	TC90010	WASHER HEAD BOLT
	TC18111	8" FRONT WHEEL	70	TC11025	BLADE WASHER
24	TC27240	REAR AXLE	71	TC11560	EDGER BLADE
25	TC27239	WHEEL SPACER	72	TC90460	JAM NUT
26	TC31307	REAR SPACER TUBE	73	TC37565	SECONDARY GUARD
27	TC11355	KEY 3/16	74	TC11042	DECAL, INSTRUCTION (NOT SHOWN)
28	TC27267	FRONT WHEEL SPACER	75	TC31291	RUBBER SHIELD
29	TC11888	LIFT HANDLE (TC380B ONLY)	76	TC31198	DOUBLER
30	TC90188	5/16 WASHER	77	TC90511	HEX LOCK NUT
31	TC11370	OILITE BUSHING	78	TC47562	FRAME WELD
32	TC90211	HEX BOLT	79	TC27237	STOP PIN
33	TC90209	5/16 HEX SCREW	81	TC90607	#10 x 1 1/2 MACHINE SCREW
34	TC90073	1/4 HEX SCREW	82	TC90399	HEX NUT
35	TC90095	1/4 HEX NUT		TC50317	BLADE GUARD ASSY INCL. #8,33,65,66,67,68,77,83
36	TC31265	PIN STOP		TC50366	SECONDARY GUARD ASSY INCL. #34,46,73,74,75,76,77
37	TC90187	SPLIT LOCK WASHER		TC50345	CUTTER HEAD SUBASSY INCL. #47,48,49,50,84
38	TC90196	5/16 HEX NUT		T57276	CARRYING TUBE ASSY INCL.#31,39,40,41,42,43,57,72
39	TC90575	HEX BOLT 1/2"		T57305	CUTTER HEAD ASSY. INCL. P/N T50345, T57276, & #14,30,38,51,52,53,54,79
40	TC47460	CARRYING TUB WELDMENT			
41	TC11169	ZERK			
42	TC11366	BRONZE BUSHING			
43	TC47585	PIVOT BRACKET			

CURB WHEEL SET-UP

- STEP 1. REMOVE NUTS, AXLE AND WHEELS FROM REAR OF EDGER.
- STEP 2. ATTACH CURB WHEEL KIT TO REAR EDGER FRAME RAIL (REF # 3). TIGHTEN LOCK NUT (REF # 5)
- STEP 3. SLIDE ON (4) WASHERS TO CURB KIT AXLE BOLT (REF # 6). SLIDE WHEEL ONTO CURB KIT AXLE BOLT AND TIGHTEN NUT (REF # 5) MAKING SURE WHEEL MOVES FREELY.
- STEP 4. SLIDE AXLE BOLT THROUGH WHEEL (REF #4 & 2) AND TIGHTEN NUT AGAINST WHEEL (REF. #7). INSERT AXLE BOLT TO EDGER FRAME AND TIGHTEN NUT INSIDE FRAME.
- STEP 5. LOOSEN BLACK WING NUT ON CURB KIT (REF. #8) AND SELECT PROPER CURB HEIGHT ADJUSTMENT. TIGHTEN WING NUT TO LOCK INTO POSITION.

SET-UP COMPLETED

